

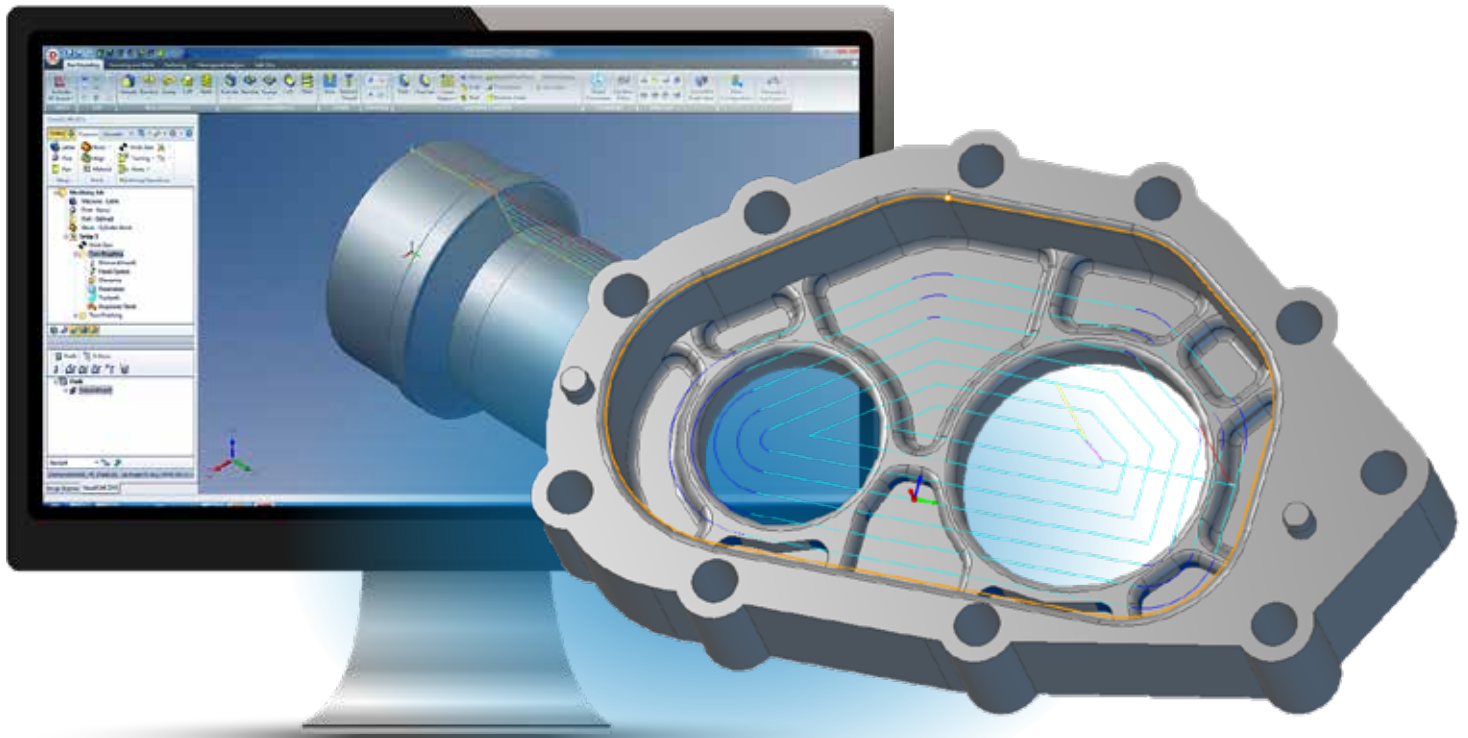
MecSoft Corporation
Your CAM Partner

MecSoft

AlibreCAM 2019

Computer Aided Manufacturing inside Alibre Design® 2018

Powerful | Easy To Learn | Easy To Use | Value Priced



A complete CNC programming system running fully inside Alibre Design for rapid prototyping, mold & die, tooling, wood working, general machining, hobby & education

Includes MILL & TURN Modules

AlibreCAM's MILL module includes powerful 2.5, 3, 4 and 5 axis machining functionality to program CNC mills. Comes with hundreds of free post-processors and the ability to create new ones.

AlibreCAM's TURN module is a complete 2 axis CNC turning center programming system, including Roughing, Finishing, Grooving and other machining methods and also free post-processors.

AlibreCAM - MILL

AlibreCAM - MILL is used for programming CNC mills. It is ideal for rapid-prototyping, mold & die, tooling, wood working, general machining, hobby and education and includes 2.5, 3, 4 and 5 axis machining functionality. It comes with hundreds of free post-processors and a post-processor generator to create your own.



Configurations

MILL Xpress (XPR)

A program ideal for hobbyists, makers and students, suitable for getting started with CAM programming. Includes 2 & 3 axis machining methods.

MILL Standard (STD)

A multi-purpose program ideal for production, rapid prototyping, panel-processing & general machining, where ease of use and a complete tool set is important. Includes 2 and 3 axis machining methods.

MILL Expert (EXP)

Includes all of STD functionality plus a wider range of 2, 3 axis methods as well as 4 axis Indexed and continuous roughing and finishing operations as well as advanced simulation.

MILL Professional (PRO)

For demanding users with sophisticated requirements such as mold, die & tooling, woodworking industries. Includes all of EXP plus indexed 5 axis machining and advanced 3 axis machining methods.

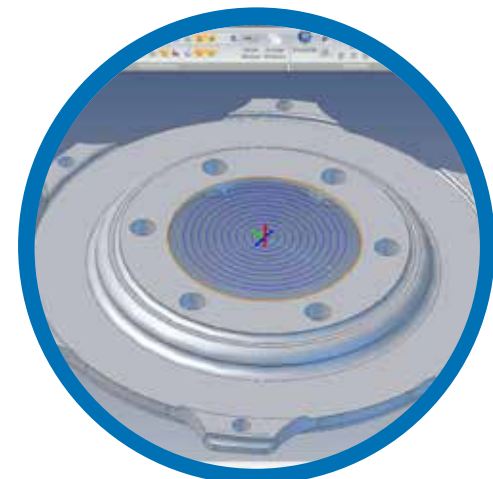
MILL Premium (PRE)

For demanding users with highly sophisticated manufacturing requirements such as aerospace, advanced mold making and woodworking. All of PRO functionality plus continuous 5 Axis machining.

2 1/2-Axis Milling	XPR	STD	EXP	PRO	PRE
Pocketing	●	●	●	●	●
Profiling	●	●	●	●	●
Facing	●	●	●	●	●
Engraving	●	●	●	●	●
V-Carving	●	●	●	●	●
V-Carve Roughing		●	●	●	●
Slot Milling		●	●	●	●
2-Axis Roughing		●	●	●	●
High Speed Pocketing		●	●	●	●
Chamfering		●	●	●	●
Hole Making		●	●	●	●
T-Slot Milling		●	●	●	●
Thread Milling		●	●	●	●
Drag Knife Machining		●	●	●	●
Re-Machining				●	●
3 Axis Milling	XPR	STD	EXP	PRO	PRE
Horizontal Roughing	●	●	●	●	●
Parallel Finishing	●	●	●	●	●
Horizontal Finishing		●	●	●	●
Radial Machining		●	●	●	●
Spiral Machining		●	●	●	●
Clear Flats Machining				●	●
Plunge Roughing				●	●
Horizontal Re-roughing				●	●
Plunge Re-roughing				●	●
Projection Pocketing				●	●
3D Offset Profiling				●	●
3D Offset Pocketing				●	●
Pencil Tracing				●	●
Valley Re-Machining				●	●
Plateau Machining				●	●
Steep Area Parallel Machining				●	●
Horizontal Hill Machining				●	●
Curve Machining				●	●
Between 2 Curves Machining				●	●
Reverse Post Machining				●	●

4 Axis Milling	XPR	STD	EXP	PRO	PRE
4 Axis Indexed Machining			●	●	●
4 Axis Create Round Stock			●	●	●
4 Axis Auto Multiple Indexing			●	●	●
4 Axis Continuous Facing			●	●	●
4 Axis Continuous Pocketing			●	●	●
4 Axis Continuous Profiling			●	●	●
4 Axis Continuous Engraving			●	●	●
4 Axis Parallel Roughing			●	●	●
4 Axis Parallel Finishing			●	●	●
4 Axis Radial Finishing			●	●	●
4 Axis Projection Pocketing			●	●	●
4 Axis Drive Surface Machining			●	●	●
5 Axis Milling	XPR	STD	EXP	PRO	PRE
5 Axis Indexed Machining				●	●
Locked 4 Axis Machining					●
5 Axis Curve Projection Machining					●
5 Axis Flow Curve Machining					●
5 Axis Between 2 Curves Machining					●
5 Axis Drive Curve Machining					●
5 Axis Surface Normal Machining					●
5 Axis Swarf Machining					●
Hole Making	XPR	STD	EXP	PRO	PRE
Automatic Hole Selection, Sorting	●	●	●	●	●
Drilling	●	●	●	●	●
Tapping		●	●	●	●
Boring		●	●	●	●
Reverse Boring		●	●	●	●
User Defined Cycles		●	●	●	●
4 Axis Drilling			●	●	●
4 Axis Tapping			●	●	●
4 Axis Boring			●	●	●
4 Axis Reverse Boring			●	●	●
Simulation	XPR	STD	EXP	PRO	PRE
Toolpath Animation	●	●	●	●	●
Cut Material Simulation	●	●	●	●	●
Advanced Cut Material Simulation		●	●	●	●
Machine Tool Simulation			●	●	●
Tools	XPR	STD	EXP	PRO	PRE
Standard Mills (Ball, Flat, C Rad., Vee)	●	●	●	●	●
Standard Drills (Drill, Tap, Bore, Rev. Bore)		●	●	●	●
Holder Collision Detection		●	●	●	●
Form Tools		●	●	●	●

Toolpath Editing	XPR	STD	EXP	PRO	PRE
Toolpath Graphical Viewing	●	●	●	●	●
Toolpath Graphical Editing				●	●
Toolpath Instancing				●	●
Toolpath Arc Fitting				●	●
Feed Rate Optimization				●	●
Post Processor Generator	XPR	STD	EXP	PRO	PRE
Customizable Post Generator	●	●	●	●	●
Simulate Cycles	●	●	●	●	●
Arc Output	●	●	●	●	●
Helix Output	●	●	●	●	●
Spiral Output	●	●	●	●	●
5 Axis Output				●	●
Miscellaneous	XPR	STD	EXP	PRO	PRE
64 Bit	●	●	●	●	●
HTML Based Shop Documentation		●	●	●	●
Stepped Tooling		●	●	●	●
Knowledge Base		●	●	●	●
Default Knowledge Base		●	●	●	●
Avoid/Pre-Defined Regions		●	●	●	●
Machine Control Operations		●	●	●	●
Explode Cabinet Model		●	●	●	●
Rotate Table Setups			●	●	●
Multiple Setups				●	●
Fixture Offset Programming				●	●
Check Surface Boundary Creation				●	●
Tool Silhouette Boundary Creation				●	●
Tool Double Contact Boundary Creation				●	●
Tool Holder Collision Boundary Creation				●	●



AlibreCAM - TURN

The AlibreCAM-TURN module is used to program 2-axis CNC turning centers or lathes. Includes powerful 2 Axis turning machining methods to handle complex programming tasks. Just as in AlibreCAM - MILL, the easy interface, allows a user to machine a part in very short time. One of the best value packed lathe products available today.

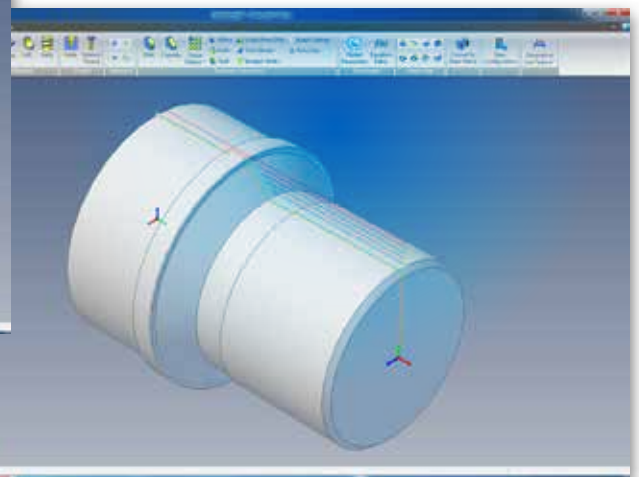
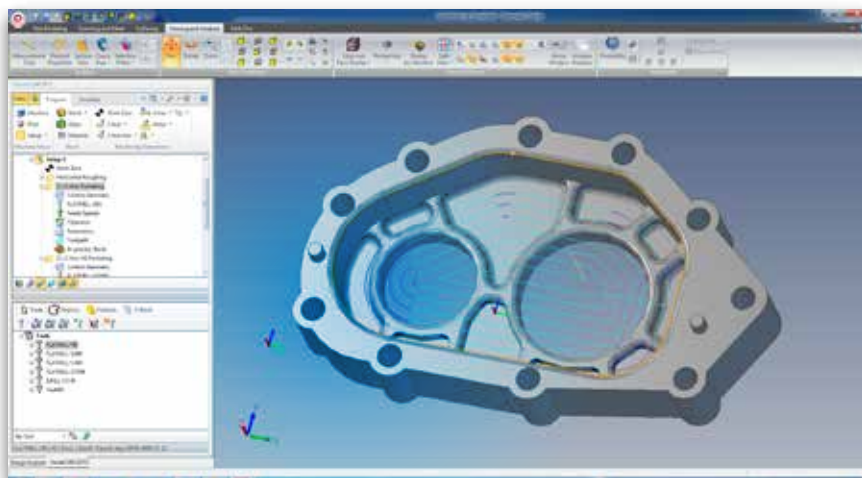
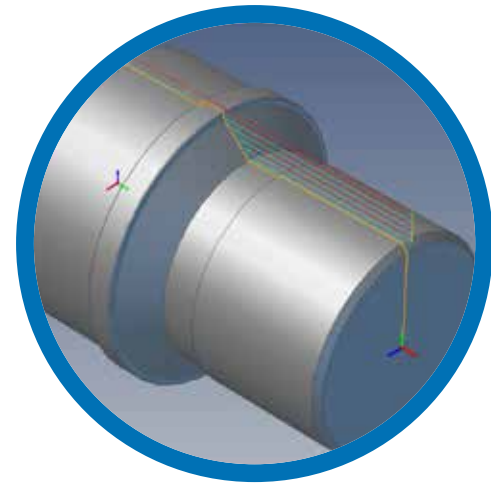


2 Axis Turning	TURN
Roughing	●
Finishing	●
Groove Roughing	●
Groove Finishing	●
Threading	●
Follow Curve	●
Parting Off	●
Upgraded 3D Model Slicing	●
Global Part Object	●
Materials for Stock Models	●
Knowledge Base Loading and Saving	●
Tool Path Viewer	●
MopSets	●
Machine Control Operations	●
Fixture Offset Operations	●
Drag and drop operations from Knowledge Base	●
Diameter programming	●

Hole Making	TURN
Drilling	●
Tapping	●
Boring	●
Reverse Boring	●

Toolpath Simulation	TURN
Toolpath Animation	●
Cut Material Simulation	●
Part to Stock Comparison	●

Post-Processor Generator	TURN
User customizable post-processor generator	●



System Requirements

- Only available in 64 bit version
- Alibre Design Versions: 2018
- CPU: Pentium class or higher processor
- RAM: Minimum: 1GB, Recommended: 4GB or higher
- Disk: 700 MB of free disc space
- Graphics: Requires OpenGL, Recommended OpenGL 2

Other

- [Free Technical Support](#)
- [Training](#)
- [Support Forum](#)
- [Maintenance Services](#)
- [Value Pricing](#)